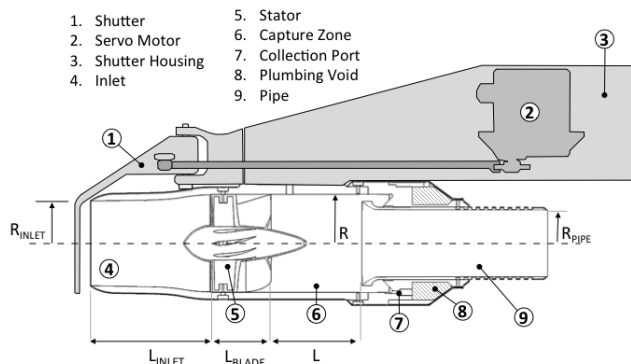
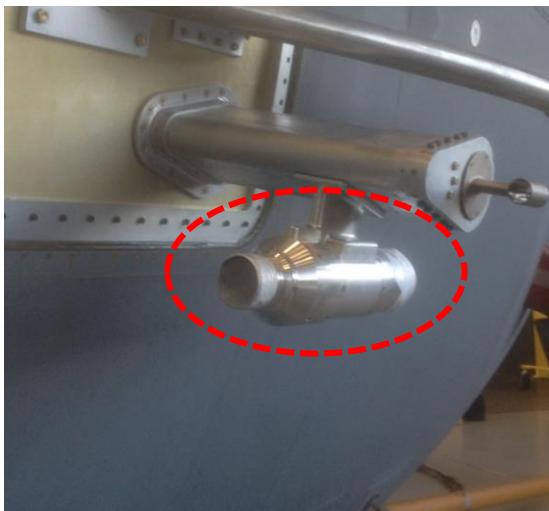


ACTIVATE: Cloud Water Dataset

Axial Cyclone Cloud water Collector (AC3)



Crosbie, Ewan, et al. "Development and characterization of a high-efficiency, aircraft-based axial cyclone cloud water collector." *Atmospheric measurement techniques* 11.9 (2018): 5025-5048.

Collection

Storage

Lab Analysis

Ion Chromatography

pH

Inductively Coupled Plasma - Mass Spec.

Inorganic Ions

Sodium
Ammonium
Potassium
Magnesium
Calcium
Chloride
Nitrite
Bromide
Nitrate
Sulfate

Organic Ions

DMA
Glycolate
Acetate
Formate
MSA
Pyruvate
Glyoxylate
Glutarate
Succinate
Adipate
Maleate
Oxalate
Phthalate

Li	V	Rb	Sn	Os
Be	Cr	Sr	Sb	Ir
B	Mn	Y	Te	Pt
Na	Fe	Zr	I	Au
Mg	Co	Nb	Cs	Hg
Al	Ni	Mo	Ba	Tl
S	Cu	Ru	Ce	Pb
Cl	Zn	Rh	Hf	Th
K	Ge	Pd	Ta	U
Ca	As	Ag	W	
Ti	Br	Cd	Re	

Interferences Use ion

Non-uniform Time Stamp

